

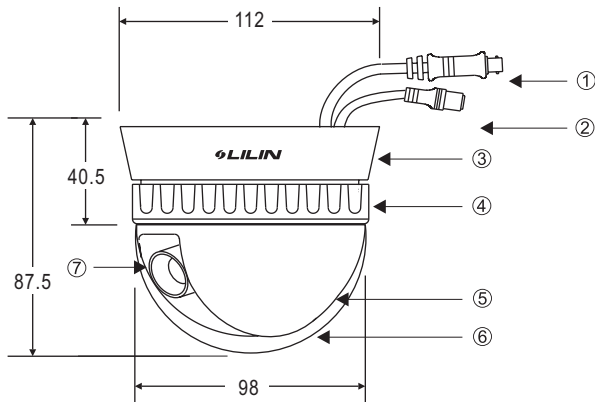
LILIN

COLOR DOME CAMERA



Instruction

Part Description & Dimension



Unit : mm

- ① VIDEO OUTPUT JACK
- ② DC POWER INPUT (DC12V ±10%) JACK
- ③ BASE
- ④ FIX RING
- ⑤ INSIDE COVER
- ⑥ DOME COVER
- ⑦ LENS

Installation

1. Put the provided screws (M3.0x25, wooden screw) through the holes marked as "a", and fix the base in the desired area(FIG.1).

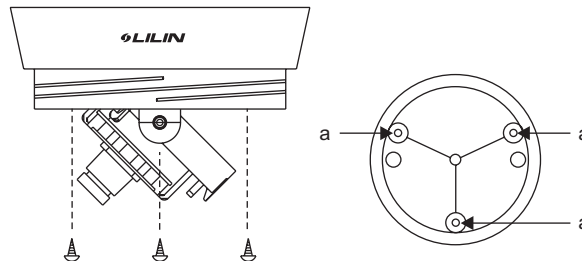


FIG. 1

2. The direction of the lens is adjustable through the adjustable Pan/Tilt brackets and rotatable round bracket for Azimuth. The lens can be adjusted easily by hand without using screw driver. Please refer to FIG.2.

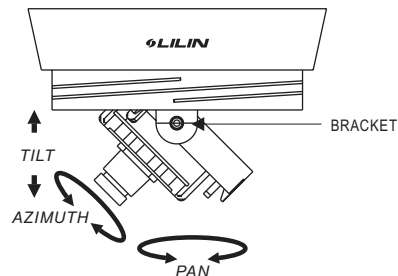


FIG. 2

3. Put on the inside cover first, and followed by put on the dome cover. Then tighten the fix ring(FIG.3).

Note: Point each "b" to each "c".

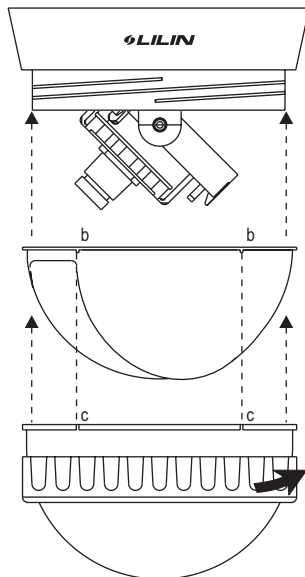


FIG. 3

Specifications

COLOR DOME CAMERA						
Model No.	ES-968□	ES-968□6	ES-968H□	ES-968H□6		
Lens	Focal Length	3.6mm	6.0mm	3.6mm	6.0mm	
	Iris	F2.0	F1.8	F2.0	F1.8	
	Angle of View	H	73°	44.5°	73°	44.5°
		V	54.5°	33.1°	54.5°	33.1°
D		92°	56°	92°	56°	
Power Input Voltage	DC12V (±10%)					
System	NTSC or PAL					
Sync. Mode	Internal					
Pick Up Element	1/3" Interline Transfer CCD Sensor					
Effective Pixels	512(H) x 492(V) [NTSC]		768(H) x 494(V) [NTSC]			
	512(H) x 582(V) [PAL]		752(H) x 582(V) [PAL]			
Chip Size	5.59mm(H) x 4.68mm(V)					
Horizontal & Vertical Sync. Frequency	15.734KHz / 59.94Hz [NTSC] 15.625KHz / 50Hz [PAL]					
Scanning System	2:1 Interlace					
Resolution	380 TV Lines		540 TV Lines			
Min. Illumination	0.2 Lux(F1.8)		0.5 Lux(F1.8)			
S/N Ratio	More than 50dB (AGC-OFF)					
Auto Gain Control	36dB Variable Gain					
White Balance	ATW					
Aperture Correction	Horizontal , Vertical					
Power Consumption	2.2W					
Shutter	1/60(1/50)S ~ 1/100,000S (Auto)					
Back Light Compensation	Auto					
Video Output	CVBS 1.0Vp-p, 75ohm					
Operating Temperature	-10°C ~ +50°C (14°F ~ 122°F)					
Gamma Characteristic	$\gamma = 0.45$					
Dimension	Dome: $\phi 98$, Base&Fix Ring: $\phi 112 \times 40.5$ mm(H)					
Weight	250g					

* Design and specifications are subject to change without notice.